



**Automated clamping of high pressure
catheter tubing with the
revolutionary
TUBE³
pneumatic tubing collet**



More reliable and safer than the older generation of manually operated toughy style clamps, the Tube Cube operates with a standard CDA compressed air supply and handles process pressures of up to 550 psi.

Tubing changeover time is substantially reduced, and the process is now ergonomically friendly for the operator.

Tube Cubes are available in a wide variety of tubing OD and hypotube size combinations, and can always be customized to your specific application requirements.

Aluminum and stainless steel materials have been used to increase both equipment reliability and longevity. These materials also allow the TubeCube to interface with a wide variety of process environments without adverse chemical reactions taking place.

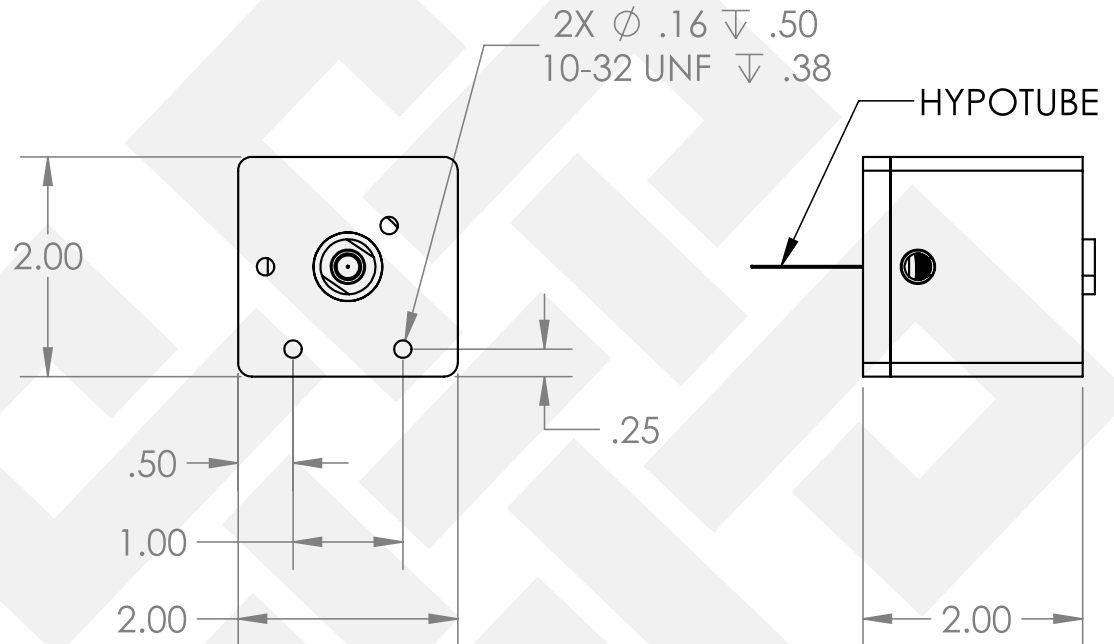
- Saves space with a compact footprint, only 2" x 2" x 2"
- Saves time with quick and easy pneumatic operation
- Ergonomically friendly compared to manual toughy operation
- Process pressure up to 550 psi (up to 1000 psi available as custom)
- Clamp activates with standard 40-120psi CDA
- Wide range of tubing OD and Hypotube sizes available
- Rugged aluminum and stainless steel construction extends life and increases reliability

AVID Innovation is a leading supplier of high quality, reliable and cost-effective equipment and machine solutions to the medical devices industry.

Visit our website to learn more about both our standard and customized automation solutions.

AVID Innovation

Dimensions:



Specifications:

Operating Pressure	Clean Dry Air, 40 - 120 PSI
Process Pressure	Up to 550 PSI std (1000 psi custom)
Mounting Holes	Qty 2 x 10-32 tapped holes
Hypotube Sizes	16R - 32R
Tubing OD range	0.125" - 0.375"
Environmental	0 - 150 degrees F
Materials	T6061 aluminum clear anodized, stainless steel hardware
Dimensions	2" H x 2" W x 2" D
Weight	12 oz